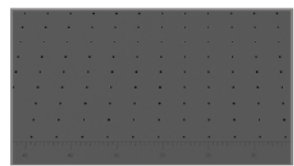


Autonomously R&D



Motor move type mug jig



Vacuum table

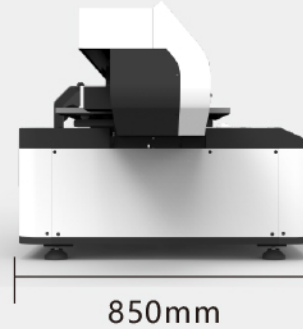
# NC-UV0406

Multifunctional UV Flatbed Printing Machine

Professional small uv flatbed printer manufacturer

# NC-UV0406

WIDTH



LEFT VIEW

LENGTH



FRONT VIEW

HEIGHT



RIGHT VIEW



Model Number	NC-UV0406
Printing Size	400mm*600mm
Print Head	XAAR 1201
Print Version	Color & White
Printing Height	0-180mm
Cylinder Material Diameter	Φ30-120mm
Highest Print Resolution	2400dpi(8pass)
Print Mode	CMYK+W/CMYK+CMYK
Rip Software	FlexiPRINT Mini UV Nocai Cloud Edition 19
Printer Dimension	1443mm*850mm*675mmmm(Length*Width*Height)
Power	AC220/110±10,50HZ~60HZ
Graphic Format	Tiff,Jpg,Eps,Pdf,Png,AI,Psd
Working Environment	Temperature : 20°C-28°C ,Humidity : 35%-65%
N.W.	110KG

**beojet**

beojet@gmail.com  
www.beojet.rs

Vikentija Rakića 13, 11080 Beograd

+381 62 489 899  
www.digitalnaoprema.rs